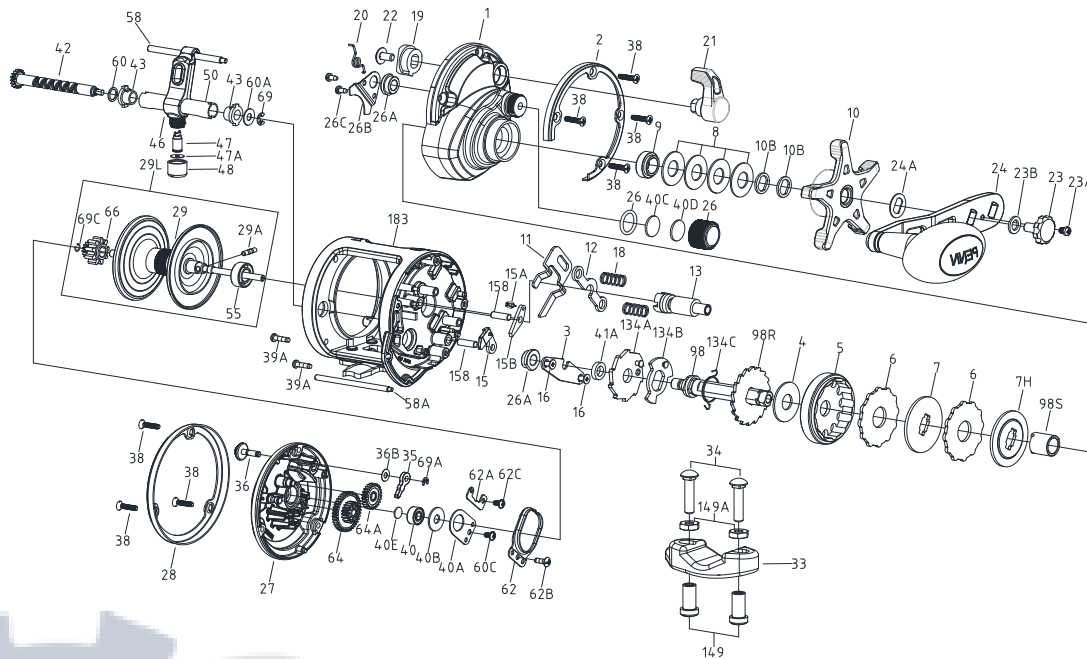




PARTS LIST FOR RVLII15LWLH and RVLII20LWLH

REEL ASM. Nos 1639709(15LWLH) and 1639711(20LWLH)



KEY NO.	PART NO.	PENN STYLE NO.	DESCRIPTION	KEY NO.	PART NO.	PENN STYLE NO.	DESCRIPTION
1	1646275	1-RVLII15LWLH	Right Side Plate	39A	1383041	39A-WAR15LW	Screw (2 req)
1	1646276	1-RVLII20LWLH	Right Side Plate	40	1383042	40-WAR15LW	Ball Bearing
2	1646277	2-RVLII15LWLH	Right Side Ring	40A	1645967	40A-WARII15LW	Ball Bearing Retainer
3	1384179	3-WAR15LW	Bridge	40B	1645968	40B-WARII15LW	Felt Washer
4	1382976	4-WAR15LW	Drag Washer	40C	1383045	40C-WAR15LW	Washer, Acetal Thrust
5	1383090	5-WAR15LWLH	Main Gear	40D	1383046	40D-WAR15LW	Washer, Rubber Thrust
6	1382978	6-WAR15LW	Tabbed Drag Washer(2 req)	40E	1383047	40E-WAR15LW	Thrust Washer (2 req)
7	1382999	7-WAR15LW	Keyed Metal Drag Washer	41A	1384181	41A-WAR15LW	Bushing
7H	1383000	7H-WAR15LW	Heavy Metal Drag Washer	42	1645969	42-WARII15LW	Worm Shaft Assembly
8	1383001	8-WAR15LW	Spring Washer(4 req)	42	1645970	42-WARII20LW	Worm Shaft Assembly
9	1384180	9-WAR15LW	Spacing Sleeve	43	1383051	43-WAR15LW	Worm Shaft Bushing(2req)
10	1646278	10-RVLII15LWLH	Star Drag	46	1645971	46-WARII15LW	Line Guide Assembly
10B	1383004	10B-WAR15LW	Star Click Washer(2 req)	47	1383053	47-WAR15LW	Line Guide Pawl
11	1646031	11-WARII15LWLH	Eccentric Jack	47A	1383054	47A-WAR15LW	Pawl Shim
12	1383007	12-WAR15LW	Pinion Yoke	48	1383055	48-WAR15LW	Line Guide Nut
13	1646032	13-WARII15LWLH	Pinion	50	1383056	50-WAR15LW	Worm Shield
15	1383009	15-WAR15LW	Anti Reverse Dog	50	1383057	50-WAR20LW	Worm Shield
15A	1646248	15A-RVLII15LW	Click spring	55	1451533	55-WAR15LW	Ball Bearing
15B	1646249	15B-RVLII15LW	Anti Reverse Dog	58	1645972	58-WARII15LW	Line Guide Post
16	1383010	16-WAR15LW	Screw(2 req)	58	1645973	58-WARII20LW	Line Guide Post
18	1383011	18-WAR15LW	Pinion Yoke Spring(2 req)	58A	1645974	58A-WARII15LW	Line Guide Guard Post
19	1383093	19-WAR15LWLH	Eccentric	58A	1645975	58A-WARII20LW	Line Guide Guard Post
20	1446771	20-WAR15LWLH	Eccentric Spring	60	1383060	60-WAR15LW	Worm Shaft Washer
21	1646250	21-RVLII15LW	Eccentric Lever	60A	1645976	60A-WARII15LW	Worm Shaft Washer
22	1383015	22-WAR15LW	Eccentric Screw	62	1645977	62-WARII15LW	Click Spring
23	1383016	23-WAR15LW	Handle Assembly Screw	62A	1645978	62A-WARII15LW	Click Spring Guard
23A	1645955	23A-WARII15LW	Handle Lock Screw	62B	1645979	62B-WARII15LW	Screw
23B	1383018	23B-WAR15LW	Handle Screw Washer	62C	1645980	62C-WARII15LW	Screw(2 req)
24	1646251	24-RVLII15LW	Handle Assembly	64	1645981	64-WARII15LW	Idler Gear
24A	1383020	24A-WAR15LW	Handle Thrust Washer	64A	1645982	64A-WARII15LW	Idler Gear
26	1383021	26-WAR15LW	Spool Tension Control Cap	66	1645983	66-WARII15LW	Click Ratchet
26A	1383022	26A-WAR15LW	Bushing(2 req)	69	1633161	69-WARII15LW	Retainer Ring
26B	1383023	26B-WAR15LW	Clutch Retainer	69A	1633187	69A-WARII15LW	Retainer Ring
26C	1383024	26C-WAR15LW	Screw(2 req)	69C	1645984	69C-WARII15LW	Retainer "C" Ring
27	1646279	27-RVLII15LWLH	Left Side Plate	98	1383094	98-WAR15LWLH	Main Gear Shaft
27	1646280	27-RVLII20LWLH	Left Side Plate	98R	1383069	98R-WAR15LW	Anti Reverse Ratchet
28	1646254	28-RVLII15LW	Left Side Ring	98S	1383070	98S-WAR15LW	Clutch Sleeve
29	1646255	29-RVLII15LW	Spool	120	1383071	120-WAR15LW	O-Ring
29	1646256	29-RVLII20LW	Spool	134A	1383095	134A-WAR15LWLH	Clutch Recover Plate
29A	1451532	29A-WAR15LW	Pin	134B	1383073	134B-WAR15LW	Clutch Recover Support Plate
29L	1646257	29L-RVLII15LW	Spool Assembly	134C	1383097	134C-WAR15LWLH	Clutch Recover Spring
29L	1646258	29L-RVLII20LW	Spool Assembly	149	1184702	149-045	Rod Clamp Nut (2 req)
33	1182754	33-113	Rod Clamp	149A	1184706	149-200	Hex Nut (2 req)
34	1182788	34-045	Screw (2 req)	154	1383077	154-WAR15LW	Click Button Washer
35	1645964	35-WARII15LW	Click Tongue	158	1383078	158-WAR15LW	Dog Pin(2req)
36	1645965	36-WARII15LW	Click Button	183	1646281	183-RVLII15LWLH	Frame Assembly
38	1645966	38-WARII15LW	Screw (7 req)	183	1646282	183-RVLII20LWLH	Frame Assembly